



Model SRSC-4: Four-Way Passive Satellite Radio Splitter Coupler Kit

This coupler is optimized for use with Pixel Satellite Radio Splitter Model SR-4 for use in configuring multi-port splitter networks. This splitter is power passing on all ports (in both directions) and is not recommended for use as a four-way independent splitter, as damage to the radios will result. It is designed only for use in combining other diode protected splitters (such as the SR-4) which are connected to the radios and prevent cross coupling of the DC bias voltages at the output of each radio.

This kit includes the splitter and four cables to permit operation from a single antenna of multiple SR-4 splitters connected to multiple (up to 16) satellite radios.

See diagrams on the reverse for typical installation examples.

Supplied Components:

QTY	Description
1	Passive four-way coupler / signal splitter
4	12 inch RG-6 cables (F-male to F-male)

Specifications:

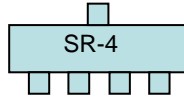
Splitter Loss at 2.335 GHz: -12 dB max

Will operate outdoors or indoors over a temperature range of: - 40° C to +60° C

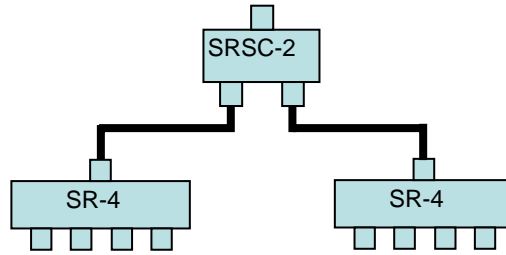
DC power passing, all ports, **both directions (no diode protection)**

Dimensions: 1.65" W x .97" L x .64" H

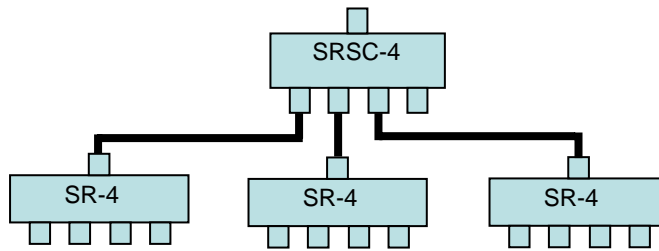
SR-4



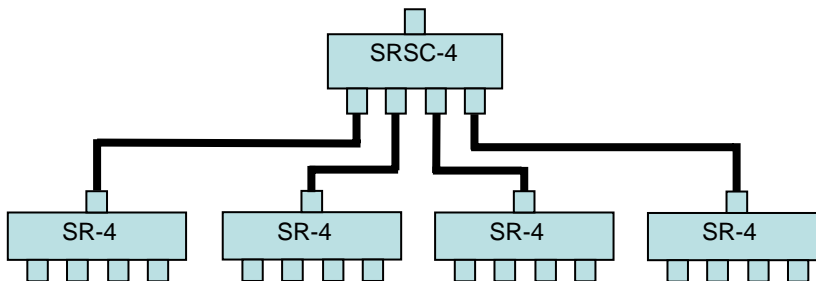
SR-8



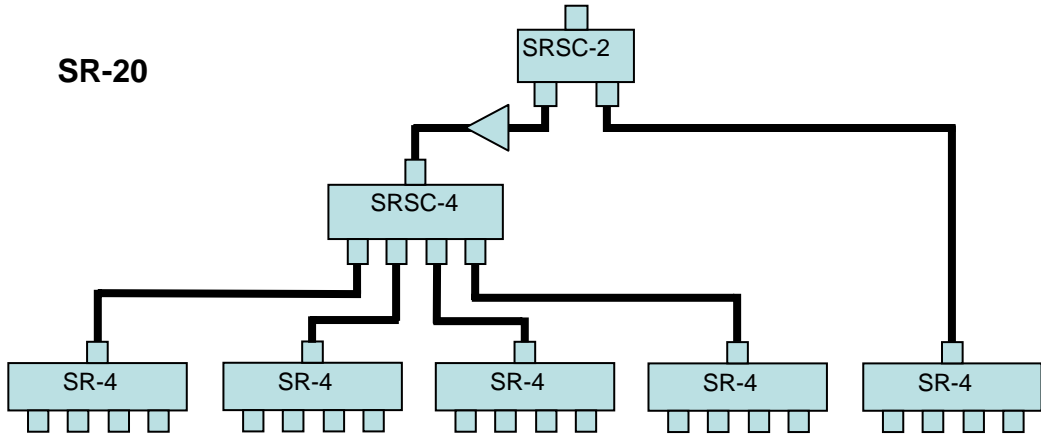
SR-12



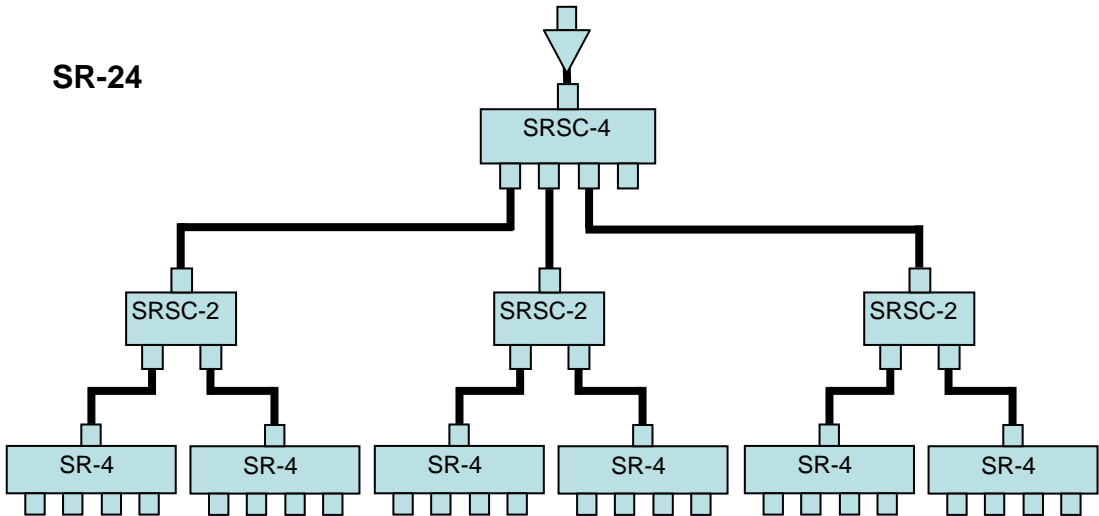
SR-16



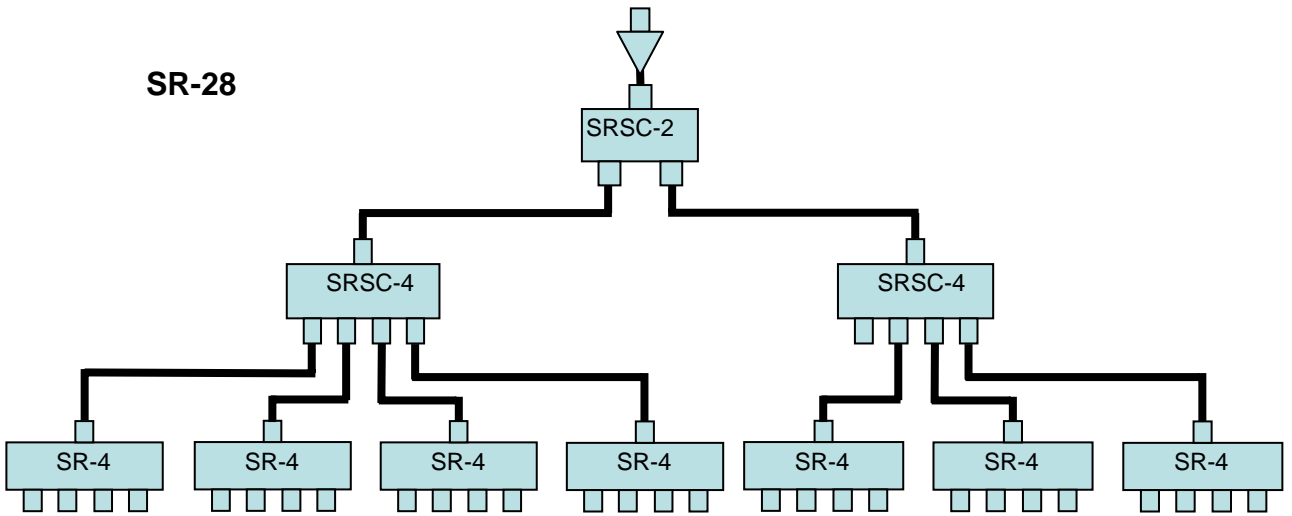
SR-20



SR-24



SR-28



SR-32

